



Setšoantšo e kanna ea ba moemeli. Bona lithaloso bakeng sa lintlha tsa sehlahisoa.

MB91F467BAPMC-GSE2-W027

Karolo ea Karolo	MB91F467BAPMC-GSE2-W027	Boemo ba RoHs	
Moetsi / Mochini	Cypress Semiconductor (Infineon Technologies)	Boemo	4723 pcs stock
Tlhaloso ea Sehlahisoa	IC MCU 32BIT AUTO	Sekepe se Tsoang ho	Hong Kong
Datasheets		Tsela ea Shipment	DHL/Fedex/TNT/UPS/EMS

Fumana tlhaloso

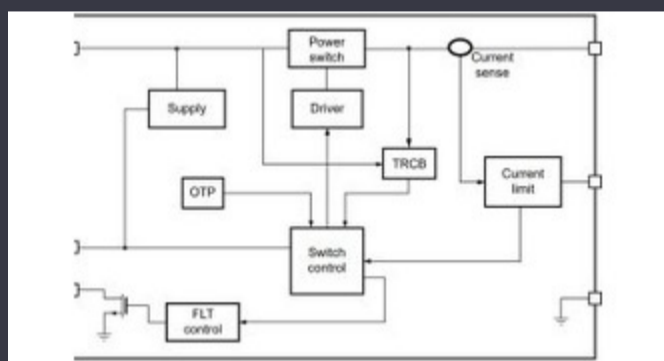
Ka kopo tlanya "Fumana Quite" ebe u tlatsa masimo ohle a hlokalalang.Re tla arabela kopo ea hau nakong ea lihora tse 24 ka lengolo-tsoibila. Haeba u thulana le mathata afe kapa afe, ka kopo tlohela molaetsa kapa u romelle lengolo-tsoibila info@global-ic.hk, 'me re tla khutlela ho uena kapele kamoo ho ka khonehang.

FUMANA TLHALOSO

oa MB91F467BAPMC-GSE2-W027

Motlakase - Phepelo (Vcc / Vdd)	3V ~ 5.5V	Package ea Lisebelisoa tsa Thepa	144-LQFP (20x20)
Lebelo	96MHz	Sehlooho	FR MB91460B
RAM Size	48K x 8	Mofuta oa Khopolo ea Lenaneo	FLASH
Boemo ba Nako ea Boemo	1.0625MB (1.0625M x 8)	Li-périipherals	DMA, LVD, PWM, WDT
Package / Case	144-LQFP	Package	Tray
Mofuta oa Oscillator	External	Mocheso o sebetsang	-40°C ~ 125°C (TA)
Palo ea I / O	108	Mofuta oa ho Thaba	Surface Mount
EEPROM Boholo	-	Data Converters	A/D 32x10b
Boholo bo boholo	32-Bit Single-Core	Core Processor	FR60 RISC
Ho buisana	CANbus, EBI/EMI, I ² C, LINbus, UART/USART	Nomoro ea sehlahisoa	MB91F467

Litaba tse Amanang



Phetoho ea li-scarb ea 5v e kenyelletsa ho thibela le ho fokotsa meeli ea hona joale

2023/08/17

Eumw: rohde & schwarz e ntlafatsa tebelo ea Ratar ea Likoloi tsa Likoloi Litaba tse tšehelitsoeng: Semicondlis tsa ho khaola

2023/09/15

Ritronik le Mediatetek Signing e tliša Setoni sa IOT Gentio ho Europe le Israel

2023/07/4

Likhamera tsa tlhahlobo li lekanya ho fihlela 800NM ka tlhahiso

2023/08/11

Moetsi oa literaka tsa London e kopanya le moetsi oa Arizona Ev

2023/08/15

E kenelletse lefatšeng: pono ea pono ea AI

2023/03/15

Litsamaiso tsa Mocheso - tsa Diabolose ka lintlha tse kentsoeng

2023/04/5

Actillera e beha letsatsi la lipuisano tse fapaneng tsa sebopelo

2023/08/22

Eledwage e tsamaisoa kapa e sa laoleheng ea indasteri ea indasteri

2023/08/21

TDK e eketsa mokhoa oa ho teba ka mokhoa oa ho teba ho khetholopele ho Mulf-KW DC PSS PSS

2023/09/15

Supercapakimpa Banks bakeng sa polokelo ea matla

2023/08/16