



Setšoantšo e kanna ea ba moemeli. Bona lithaloso bakeng sa lintlha tsa sehlahisoa.

TSE2002GB2A1NCG8

Karolo ea Karolo	TSE2002GB2A1NCG8	Boemo ba RoHs	
Moetsi / Mochini	Renesas Electronics Corporation	Boemo	31492 pcs stock
Tlhaloso ea Sehlahisoa	IC TEMP SENS EEPROM DFN-8	Sekepe se Tsoang ho	Hong Kong
Datasheets		Tsela ea Shipment	DHL/Fedex/TNT/UPS/EMS

31492 pcs stock
Theko ea Bo-'mampuli

1 pcs	
\$0.948	

Fumana tlhaloso

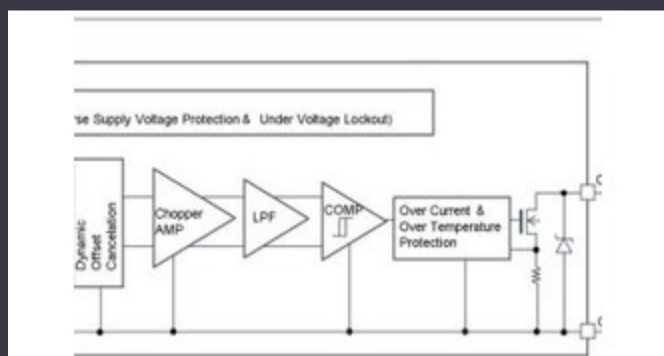
Ka kopo tlanya "Fumana Quite" ebe u tlatsa masimo ohle a hlokaalang.Re tla arabela kopo ea hau nakong ea lihora tse 24 ka lengolo-tsoibila. Haeba u thulana le mathata afe kapa afe, ka kopo tlohela molaetsa kapa u romelle lengolo-tsoibila info@global-ic.hk, 'me re tla khutlela ho uena kapele kamoo ho ka khonehang.

FUMANA TLHALOSO

oa TSE2002GB2A1NCG8

Tšebeliso ea Voltage	2.3V ~ 3.6V	Theology	ADC, Register Bank
Package ea Lisebelisoa tsa Thepa	8-VFQFPN (2x3)	Sehlooho	-
Mofuta oa Sensor	Internal	Ho bona Mocheso	-20°C ~ 125°C
Package / Case	8-WFDFN Exposed Pad	Package	Tape & Reel (TR)
Tlhaliso ea mofuta	I ² C/SMBus	Fan Fan	No
Alarm ea ho hlahisa	No	Mocheso o sebetsang	-20°C ~ 125°C
Mofuta oa ho Thaba	Surface Mount	Mosebetsi	Temp Monitoring System (Sensor)
Nomoro ea sehlahisoa	TSE2002	Ho nepahala	±2°C

Litaba tse Amanang



Lisebelisoa tsa mabenyane tsa likoloi li sebetsa ho fihlela 38v

2023/08/23

Makahani a tšehlitsong: Callerah, e etellang pele Chinese Mumwave

2023/09/11

Lefatše le kenelletseng: Puisano ea video - Li-Lorena ho R & D, moralo leBoitšoarō bo makatsang bo sa tsitsang bo baka neuron e le 'ngoe ho rekisa polokelo

2023/03/27

Koloi ea Semiconductor e atoloha ho Bristol, Glasgow le Durham

2023/07/20

Toshiba e eketsa likhomo tse 'ne tsa pen tsa pen tse halikiloeng ka ho khaola tahlehelo

2023/08/31

Supercapakimpa Banks bakeng sa polokelo ea matla

2023/08/16

IC Cuttes ea hona joale ea ho holisa ea ho holisa bophelo ba lisele

2023/07/11

2023/07/21

Tlohela lefatše:

2023/03/15

CSL e ncha ea CSL e Ncha ea DSLshire HQ e khola ka makhetlo a tšeletseng

2023/08/3

Takatso: ho theola methapo ho hlakola liponto ho likoloi

2023/08/29

Lihlooho tsa Letlapa la Marakeng a IOT le SBCs

2023/07/18