



## DS21600SN/T&R

<b>Karolo ea Karolo</b>	<a href="#">DS21600SN/T&amp;R</a>	<b>Boemo ba RoHs</b>	RoHS e sa lumellaneng
<b>Moetsi / Mochini</b>	<a href="#">Analog Devices / Maxim Integrated</a>	<b>Boemo</b>	4491 pcs stock
<b>Tlhaloso ea Sehlahisoa</b>	IC CLOCK RATE ADAPTER 16SOIC	<b>Sekepe se Tsoang ho</b>	Hong Kong
<b>Datasheets</b>	<a href="#">Cylindrical Battery Holders.pdf</a>	<b>Tsela ea Shipment</b>	DHL/Fedex/TNT/UPS/EMS

### Fumana tlhaloso

Ka kopo tlanya "Fumana Quite" ebe u tlatsa masimo ohle a hlokalalang.Re tla arabela kopo ea hau nakong ea lihora tse 24 ka lengolo-tsoibila.  
Haeba u thulana le mathata afe kapa afe, ka kopo tlohela molaetsa kapa u romelle lengolo-tsoibila [info@global-ic.hk](mailto:info@global-ic.hk), 'me re tla khutlela ho uena kapele kamoo ho ka khonehang.

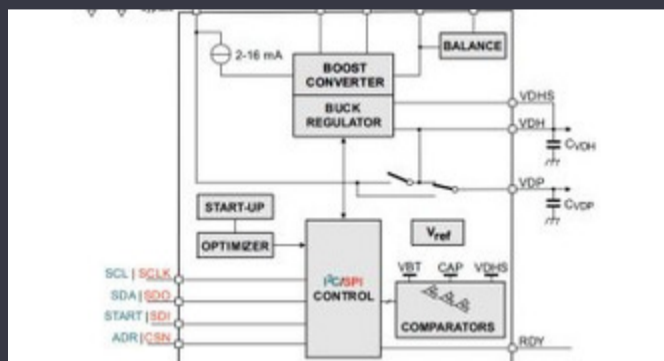
FUMANA TLHALOSO

Setšoantšo e kanna ea ba moemeli. Bona lithaloso bakeng sa lintlha tsa sehlahisoa.

### oa DS21600SN/T&R

Tšebeliso ea Voltage	3.135V ~ 5.25V	Thapa	Clock Rate Adapter
Package ea Lisebelisoa tsa Thepa	16-SOIC	Sehlooho	-
Boemo - Boitsebiso: Phatlalatso	1:2	Package / Case	16-SOIC (0.295", 7.50mm Width)
Package	Tape & Reel (TR)	PLL	Yes
Phatlalatso	Clock	Mocheso o sebetsang	-40°C ~ 85°C
Palo ea Maeto	1	Mofuta oa ho Thaba	Surface Mount
Ho kenya	Clock	Hangata - Max	6.176MHz
Qala / Iketsetse	Yes/No	Phapang - Ho kenya: Puo	No/No
Nomoro ea sehlahisoa	DS21600		

### Litaba tse Amanang



IC Cuttes ea hona joale ea ho holisa ea ho holisa bophelo ba lisele  
2023/07/11

Sony o ikemiselitse kh'amera ho drones le liroboto tsa basebelisi ba indasteri  
2023/09/6

Lifetonotive Hall sensor ea hajoale ke 1% holim'a bophelo mme e kenyetsa MCU  
2023/09/12

Lefatše le kenelletse: Wi-Fi 6, Bluetooth le IEEE 802.15.4 Ir-wpan ka module e le 'ngoe  
2023/03/16

12V kapa 48v Main Pr Power Pricos tsa 800W  
2023/09/13

C.Teder's Cobot e ka phahamisa 3kg le boemo ba ho 20µm  
2023/08/7

Gand, Gan e sirelelitsoeng e bula menyetla ea khoebo bakeng sa liitsi tsa Actillera e beha letsatsi la lipuisano tse fapaneng tsa sebopeloh data, likoloi le pv  
2023/09/7

TDK e eketsa mokhoa oa ho teba ka mokhoa oa ho teba ho khetholopele ho Mulf-KW DC PSS PSS  
2023/09/15

Takatso: ho theola methapo ho hlakola liponto ho likoloi  
2023/08/29

Show Hat  
2023/09/7

Tlohela lefatše:  
2023/03/15

2023/08/22