



Setšoantšo e kanna ea ba moemeli. Bona lithaloso bakeng sa lintlha tsa sehlahisoa.

CY62148EV30LL-45BVIT

Karolo ea Karolo	CY62148EV30LL-45BVIT	Boemo ba RoHS	RoHS e sa lumellaneng
Moetsi / Mochini	Cypress Semiconductor (Infineon Technologies)	Boemo	12206 pcs stock
Tlhaloso ea Sehlahisoa	IC SRAM 4MBIT PARALLEL 36VF BGA	Sekepe se Tsoang ho	Hong Kong
Datasheets	CY62148EV30.pdf	Tsela ea Shipment	DHL/Fedex/TNT/UPS/EMS

12206 pcs stock
Theko ea Bo-'mampuli

	2000 pcs
	\$3.048

Fumana tlhaloso

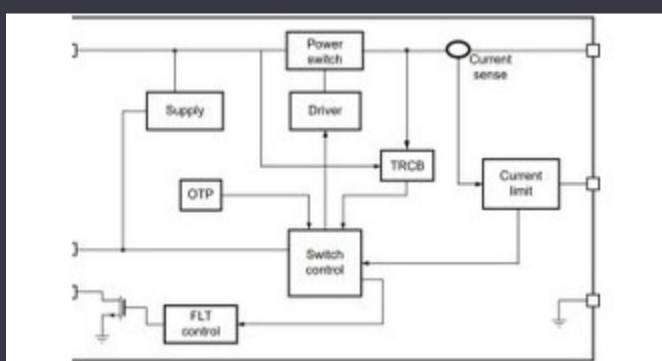
Ka kopo tlanya "Fumana Quite" ebe u tlatsa masimo ohle a hlokalalang. Re tla arabela kopo ea hau nakong ea lihora tse 24 ka lengolo-tsoibila. Haeba u thulana le mathata afe kapa afe, ka kopo tlohela molaetsa kapa u romelle lengolo-tsoibila info@global-ic.hk, 'me re tla khutlela ho uena kapele kamoo ho ka khonehang.

FUMANA TLHALOSO

oa CY62148EV30LL-45BVIT

Ngola Nako ea Nako - Lentsoe, Leqephe	45ns	Tšebeliso ea Voltage	2.2V ~ 3.6V
Package ea Lisebelisoa tsa Thepa	36-VFBGA (6x8)	Theknoloji	SRAM - Asynchronous
Package / Case	36-VFBGA	Sehlooho	MoBL®
Mocheso o sebetsang	-40°C ~ 85°C (TA)	Package	Tape & Reel (TR)
Mofuta oa Khopolo	Volatile	Mofuta oa ho Thaba	Surface Mount
Mokhatlo oa Memori	512K x 8	Boemo ba Sehopotso	4Mbit
Memory Format	SRAM	Setšoantšo sa Memory	Parallel
Nako ea ho Fumana	45 ns	Nomoro ea sehlahisoa	CY62148

Litaba tse Amanang



Phetoho ea li-scarb ea 5v e kenyelletsa ho thibela le ho fokotsa meeli ea hona joale

2023/08/17

Makahani a tšehelisoeng: Callerah, e etellang pele Chinese Mumwave

2023/09/11

E kenelletse lefatšeng: pono ea pono ea AI

2023/03/15

Lifetonotive Hall sensor ea hajoale ke 1% holim'a bophelo mme e kenyelletsa MCU

2023/09/12

Litsamaiso tsa Mocheso - tsa Diabolose ka lintlha tse kentsoeng

2023/04/5

Koloi ea Semiconductor e atoloha ho Bristol, Glasgow le Durham

2023/07/20

Supercapakimpa Banks bakeng sa polokelo ea matla

2023/08/16

Sony o ikemiselitse kh'amera ho drones le lirobot tsa basebelisi ba indasteri

2023/09/6

Pono: Ultra-qalong ea hlaha le lithibelo tsa IOL li sebelisa Lorawan

2023/07/14

Ho hlile hoa phethahala joang

2023/07/19

TDK e eketsa mokhoa oa ho teba ka mokhoa oa ho teba ho khetholopele ho Mulf-KW DC PSS PSS

2023/09/15

Takatso: ho theola methapo ho hlakola liponto ho likoloi

2023/08/29