



Setšoantšo e kanna ea ba moemeli. Bona lithaloso bakeng sa lintlha tsa sehlahisoa.

## PIC18LF24K22-E/SP

Karolo ea Karolo	<a href="#">PIC18LF24K22-E/SP</a>	Boemo ba RoHs	
Moetsi / Mochini	<a href="#">Micrel / Microchip Technology</a>	Boemo	32328 pcs stock
Tlhaloso ea Sehlahisoa	IC MCU 8BIT 16KB FLASH 28SPDIP	Sekepe se Tsoang ho	Hong Kong
Datasheets	<a href="#">PIC18(L)F2x/4xK22 Datasheet.pdf</a>	Tsela ea Shipment	DHL/Fedex/TNT/UPS/EMS

**32328 pcs stock**  
Theko ea Bo-'mampuli

240 pcs

\$1.638

### Fumana tlhaloso

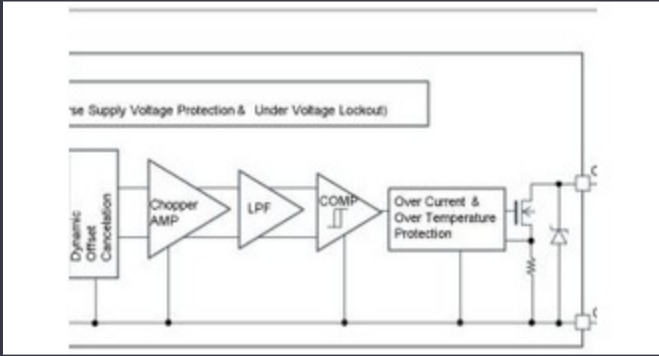
Ka kopo tlanya "Fumana Quite" ebe u tlatsa masimo ohle a hloka halang. Re tla arabela kopo ea hau nakong ea lihora tse 24 ka lengolo-tsoibila. Haeba u thulana le mathata afe kapa afe, ka kopo tlohela molaetsa kapa u romelle lengolo-tsoibila [info@global-ic.hk](mailto:info@global-ic.hk), 'me re tla khutlela ho uena kapele kamoo ho ka khonehang.

FUMANA TLHALOSO

### oa PIC18LF24K22-E/SP

Motlakase - Phepele (Vcc / Vdd)	1.8V ~ 3.6V	Package ea Lisebelisoa tsa Thepa	28-SPDIP
Lebelo	48MHz	Sehlooho	PIC® XLP™ 18K
RAM Size	768 x 8	Mofuta oa Khopolo ea Lenaneo	FLASH
Boemo ba Nako ea Boemo	16KB (8K x 16)	Li-périipherals	Brown-out Detect/Reset, HLVD, POR, PWM, WDT
Package / Case	28-DIP (0.300", 7.62mm)	Package	Tube
Mofuta oa Oscillator	Internal	Mocheso o sebetsang	-40°C ~ 125°C (TA)
Palo ea I / O	24	Mofuta oa ho Thaba	Through Hole
EEPROM Boholo	256 x 8	Data Converters	A/D 19x10b
Boholo bo boholo	8-Bit	Core Processor	PIC
Ho buisana	I <sup>2</sup> C, SPI, UART/USART	Nomoro ea sehlahisoa	PIC18LF24

### Litaba tse Amanang



Lisebelisoa tsa mabenyanane tsa likoloi li sebetsa ho fihlela 38V  
2023/08/23

Tlaleho ea Tsoelo-pele ea Reram  
2023/04/26

Ritronik le Mediatetek Signing e tliša Setoni sa IOT Gentio ho Europe le Israel  
2023/07/4

Lifetonotive Hall sensor ea hajoale ke 1% holim'a bophelo mme e kenyeletsa MCU  
2023/09/12

Boitšoaro bo makatsang bo sa tsitsang bo baka neuron e le 'ngoe  
2023/07/21

Lefatše le kenelletse: Wi-Fi 6, Bluetooth le IEEE 802.15.4 Ir-wpan ka module e le 'ngoe  
2023/03/16

Terran kapa-tolly e tsoaloe tlhahiso, ts'ehetsa libese tse supileng tsa satellite  
2023/09/13

Toshiba e eketsa likhomo tse 'ne tsa pen tsa pen tse halikiloeng ka ho khaola tahlehelo  
2023/08/31

Show Hat  
2023/09/7

CSL e ncha ea CSL e Ncha ea DSLshire HQ e kholo ka makhetlo a tšeletseng  
2023/08/3

Sony o ikemiselitse kh'amera ho drones le lirobot tsa basebelisi ba indasteri  
2023/09/6

Audio audio le sebaka sa eona sebakeng sa ho iphetola ha lintho tsa Bluetooth  
2023/07/19